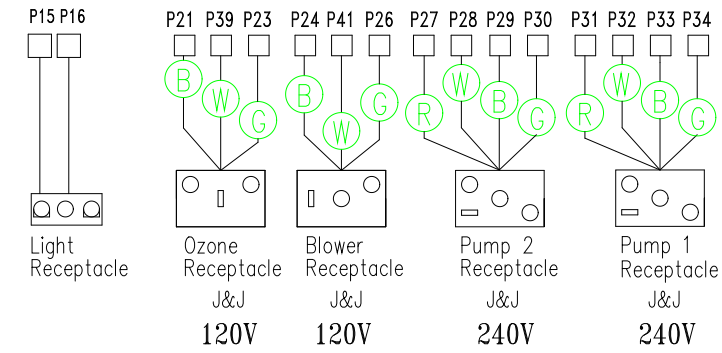
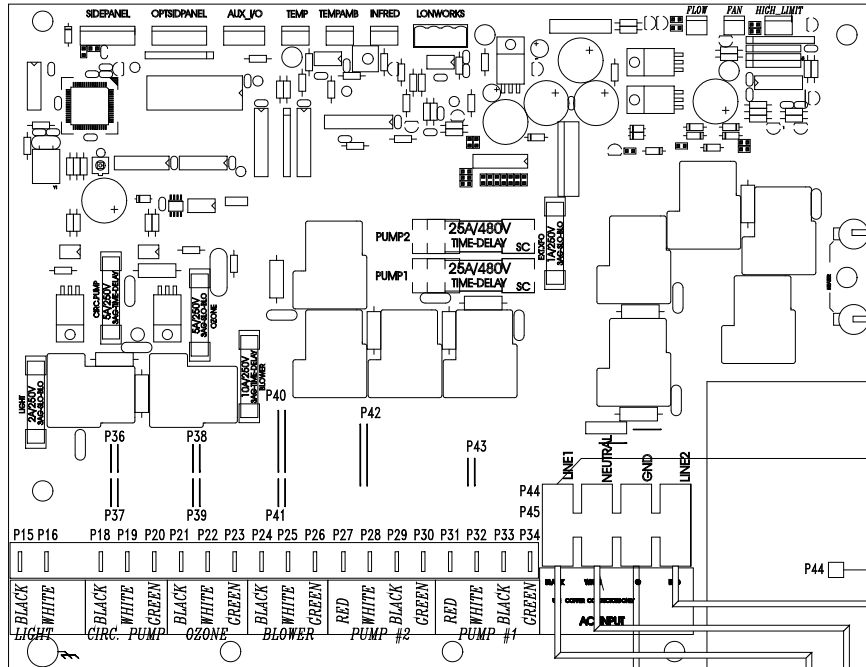


33-0025-R5



Light Receptacle

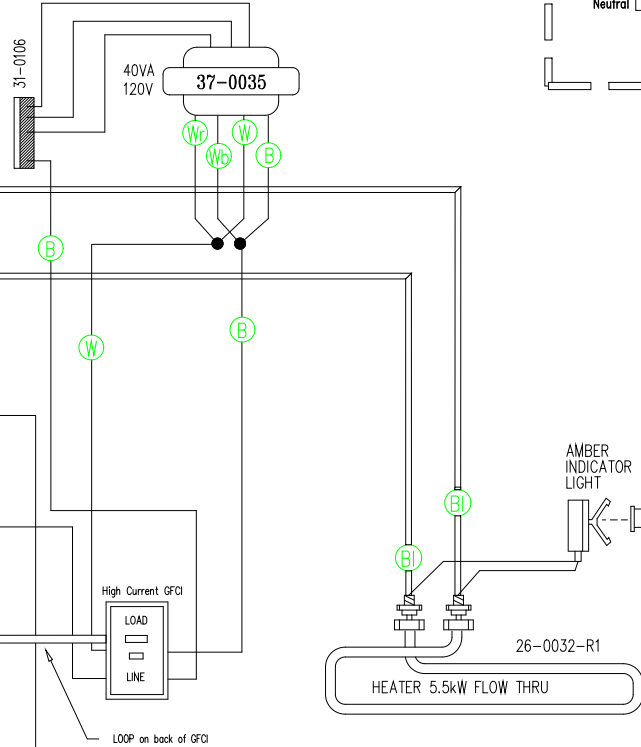
Ozone Receptacle
J&J
120V

Blower Receptacle
J&J
120V

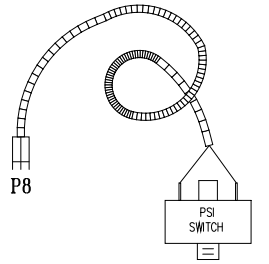
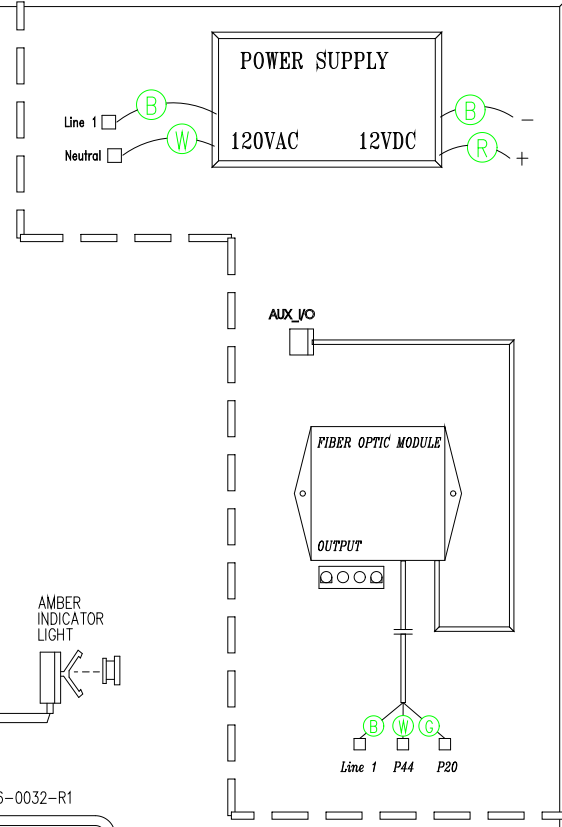
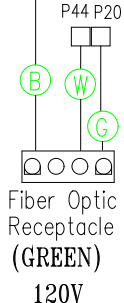
Pump 2 Receptacle
J&J
240V

Pump 1 Receptacle
J&J
240V

GR L1 N L2



Solder wire prior to connection on PCB.



LEGEND	
	- 1/4" QUICK CONNECT
	- 1/4" QUICK CONNECT PIGGYBACK
	- FORK CONNECTOR
	- RING CONNECTOR
	- SOCKET CONNECTOR
	- PIN CONNECTOR

HYDRO-QUIP
CORONA, CA (909) 273-7575

Manufacture Notes:

COMPONENTS IN DOTTED BOX ARE OPTIONAL

Approved By:

Dwg. No. **D221AH-KPQY-Z6**
Sheet metal part #:
65-0221

Drawn BH
Date 06.15.01
Diagram No. **4712-J**

Wire Color Code	
B - Black	G - Green
Br - Brown	Bl - Blue
R - Red	V - Violet
O - Orange	W - White
Y - Yellow	Gr - Gray